

360-004

Technische Daten

Nennspannung:
6V bis 24V

Überdrucksicherheit:
max. 30 bar, 40 bar oder 50 bar
(kurzzeitig bis 2 sec)

Betriebstemperatur:
- 25° C bis + 100° C
(bis + 120° C max. 1 Stunde
am Anschlussgewinde)

Widerstandsbereich:
10Ω bis 184Ω

Technical Data

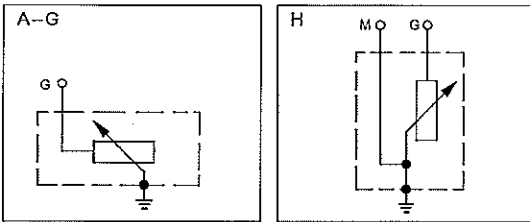
Rated voltage:
6V to 24V

Overpressure safety:
30 bar, 40 bar or 50 bar max.
(short periods only for 2 sec)

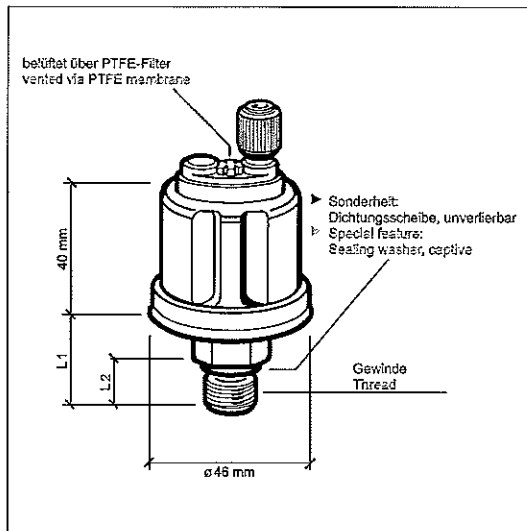
Operating temperature:
- 25° C to + 100° C
(up to + 120° C for 1 hour max.
at threaded connector)

Resistance range:
10Ω to 184Ω

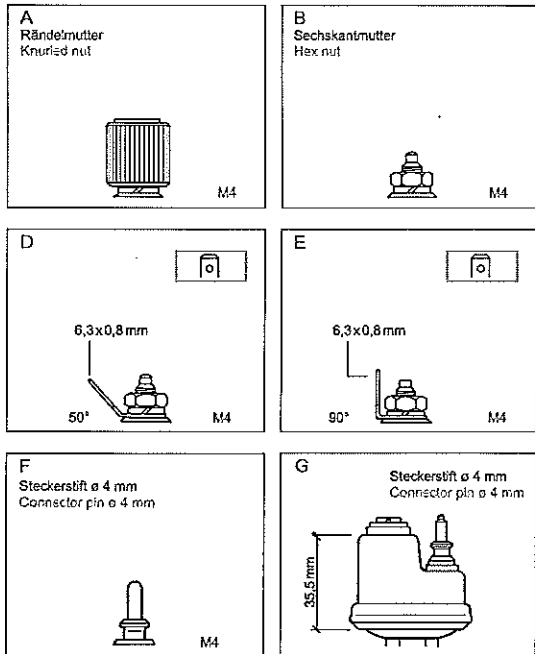
Schaltbild/Circuit Diagram



Abmaße/Dimensions



Anschlussart/Type of Connection





| VDO Nr. VDO No. | | | | | | |
|---------------------|----|---|--------------------------------|------|------|---|
| 360-081-029-001 C/K | 3 | - | M10 x 1 keg. kurz / con. short | 19,5 | 11,0 | A |
| 360-081-029-004 C | 5 | - | 1/8 - 27 NPTF | 19,5 | 11,0 | A |
| 360-081-029-008 C | 5 | - | 1/4 - 18 NPTF | 23,8 | 15,3 | A |
| 360-081-029-010 C/K | 10 | - | M10 x 1 keg. kurz / con. short | 19,5 | 11,0 | A |
| 360-081-029-012 C/K | 10 | - | 1/8 - 27 NPTF | 19,5 | 11,0 | A |
| 360-081-029-013 C/K | 10 | - | M12 x 1,5 | 20,5 | 12,0 | A |
| 360-081-029-020 C | 10 | - | 1/4 - 18 NPTF | 23,8 | 15,3 | A |
| 360-081-029-025 C/K | 5 | - | M18 x 1,5 | 20,5 | 12,0 | A |
| 360-081-029-026 C/K | 5 | - | M14 x 1,5 | 20,5 | 12,0 | A |
| 360-081-029-033 C/K | 10 | - | M14 x 1,5 | 20,5 | 12,0 | A |
| 360-081-029-038 C | 10 | - | M14 x 1,5 | 20,5 | 12,0 | D |
| 360-081-029-041 C | 5 | - | 1/8 - 27 NPTF | 19,5 | 11,0 | E |
| 360-081-029-042 C | 10 | - | 1/8 - 27 NPTF | 19,5 | 11,0 | D |
| 360-081-029-059 C | 5 | - | M18 x 1,5 | 20,5 | 12,0 | B |
| 360-081-029-062 C | 10 | - | R 1/8 DIN 2999 | 19,5 | 11,0 | D |
| 360-081-029-065 C | 5 | - | M14 x 1,5 | 25,5 | 12,0 | B |
| 360-081-029-085 C | 5 | - | M12 x 1,5 | 20,5 | 12,0 | A |
| 360-081-029-087 C | 3 | - | M12 x 1,5 | 20,5 | 12,0 | F |
| 360-081-037-003 C | 25 | - | M18 x 1,5 | 20,8 | 12,0 | E |
| 360-081-037-006 C | 16 | - | M14 x 1,5 | 20,5 | 12,0 | B |
| 360-081-037-007 C | 16 | - | 1/8 - 27 NPTF | 20,5 | 12,0 | E |
| 360-081-037-008 C | 25 | - | M10 x 1 keg. kurz / con. short | 19,5 | 11,0 | D |
| 360-081-037-010 C | 25 | - | 1/8 - 27 NPTF | 20,5 | 11,0 | E |
| 360-081-037-011 C | 25 | - | M10 x 1 keg. kurz / con. short | 19,5 | 11,0 | D |
| 360-081-037-013 C | 25 | - | M14 x 1,5 | 20,5 | 12,0 | E |
| 360-081-037-017 C | 25 | - | M14 x 1,5 | 20,5 | 12,0 | E |
| 360-081-037-018 C | 25 | - | M18 x 1,5 | 20,5 | 12,0 | E |
| 360-081-037-019 C | 16 | - | M12 x 1,5 | 20,5 | 12,0 | B |
| 360-081-048-003 C | 5 | - | M14 x 1,5 | 20,5 | 12,0 | H |
| 360-081-052-003 C | 3 | - | M12 x 1,5 | 20,5 | 12,0 | G |
| | | | | | | |
| | | | | | | |
| | | | | | | |
| | | | | | | |
| | | | | | | |
| | | | | | | |
| | | | | | | |
| | | | | | | |
| | | | | | | |
| | | | | | | |
| | | | | | | |
| | | | | | | |
| | | | | | | |
| | | | | | | |
| | | | | | | |
| | | | | | | |
| | | | | | | |
| | | | | | | |
| | | | | | | |
| | | | | | | |

360-004

11

360-043

Technische Daten

Nennspannung:
6 V bis 24 V

Überdrucksicherheit:
max. 30 bar oder 50 bar (kurzzeitig bis 2 sec)

Betriebstemperatur:
- 25° C bis + 100° C
(bis + 120° C max. 1 Stunde
am Anschlussgewinde)

Widerstandsbereich:
10 Ω bis 184 Ω

Technical Data

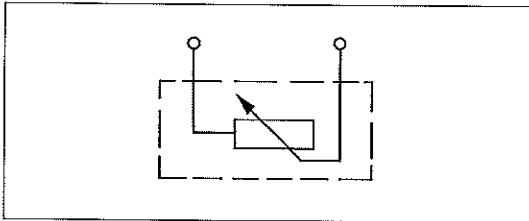
Rated voltage:
6 V to 24 V

Overpressure safety:
30 bar or 50 bar max. (short periods only for 2 sec)

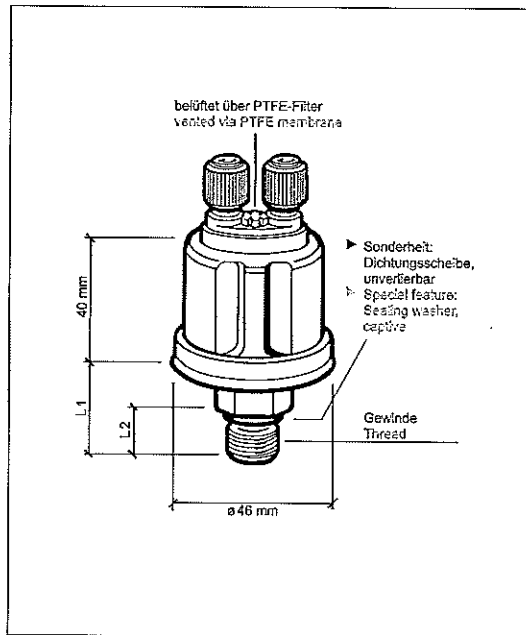
Operating temperature:
- 25° C to + 100° C
(up to + 120° C for 1 hour max.
at threaded connector)

Resistance range:
10 Ω to 184 Ω

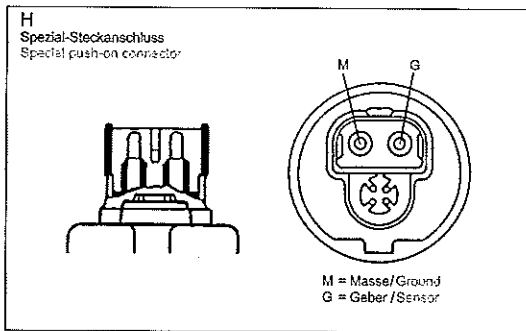
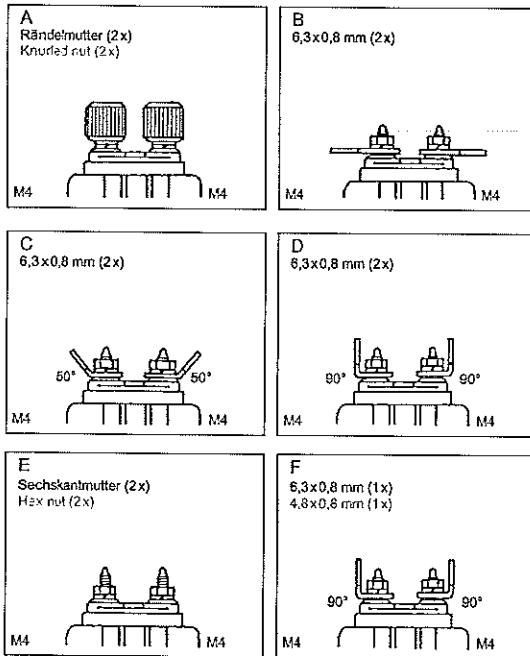
Schaltbild/Circuit Diagram



Abmaße/Dimensions



Anschlussart/Type of Connection





| VDO Nr. VDO No. | | | | | | |
|--------------------|----|---|--------------------------------|------|------|---|
| 360-081-032-001 C | 5 | - | 1/8 - 27 NPTF | 19,5 | 11,0 | A |
| 360-081-032-002 C | 5 | - | M10 x 1 keg. kurz / con. short | 19,5 | 11,0 | A |
| 360-081-032-003 C | 10 | - | M10 x 1 keg. kurz / con. short | 19,5 | 11,0 | A |
| 360-081-032-006 C | 10 | - | M14 x 1,5 | 20,5 | 12,0 | A |
| 360-081-032-007 C | 5 | - | 1/8 - 27 NPTF | 19,5 | 11,0 | B |
| 360-081-032-008 C | 10 | - | M18 x 1,5 | 20,5 | 12,0 | A |
| 360-081-032-011 C | 2 | - | M12 x 1,5 | 20,5 | 12,0 | C |
| 360-081-032-013 C | 5 | - | M18 x 1,5 | 20,8 | 12,0 | A |
| 360-081-032-014 C | 10 | - | 1/8 - 27 NPTF | 19,5 | 11,0 | A |
| 360-081-032-016 C | 5 | - | 1/4 - 18 NPTF | 23,8 | 15,3 | A |
| 360-081-032-025 C | 2 | - | 1/8 - 27 NPTF | 19,5 | 11,0 | C |
| 360-081-032-026 C | 5 | - | 1/8 in. BSPF | 18,5 | 10,0 | A |
| 360-081-032-038 C | 5 | - | 1/8 - 27 Dryseal NPTF | 19,5 | 11,0 | D |
| 360-081-032-043 C | 10 | - | M10 x 1,0 | 18,5 | 10,0 | F |
| 360-081-032-052 C | 5 | - | 1/8 - 27 NPTF | 19,5 | 11,0 | C |
| 360-081-032-053 C | 10 | - | M12 x 1,5 | 20,5 | 12,0 | A |
| 360-081-032-059 C | 5 | - | M18 x 1,5 | 20,5 | 12,0 | E |
| 360-081-032-060 C | 5 | - | M14 x 1,5 | 20,5 | 12,0 | E |
| 360-081-038-001 C | 25 | - | M14 x 1,5 | 20,5 | 12,0 | E |
| 360-081-038-002 C | 25 | - | 3/8 - 18 Dryseal NPTF | 23,8 | 15,3 | B |
| 360-081-038-003 C | 25 | - | 1/8 - 27 NPTF | 19,5 | 11,0 | E |
| 360-081-038-005 C | 25 | - | M18 x 1,5 | 20,5 | 12,0 | A |
| 360-081-038-013 C | 25 | - | M14 x 1,5 | 20,5 | 12,0 | E |
| 360-081-038-014 C | 16 | - | M14 x 1,5 | 20,5 | 12,0 | E |
| 360-081-051-012 C | 10 | - | M16 x 1,5 | 20,5 | 12,0 | H |
| 360-081-051-013 C | 7 | - | 1/8 - 27 Dryseal NPTF | 19,5 | 10,0 | H |

360-043